

JUNE 2023

RTA

CABINETS

OHIO



WHOLESALE

PRODUCT SPEC BOOK

CABINET STYLES

WHITE SHAKER



NAVY BLUE SHAKER



LIGHT GREY SHAKER



RUSTIC HICKORY
STAINED SHAKER



DARK GREY
STAINED SHAKER



CABINET STYLES

WHITE SHAKER



NAVY BLUE SHAKER



LIGHT GREY SHAKER



RUSTIC HICKORY
STAINED SHAKER



DARK GREY
STAINED SHAKER



CABINET CONSTRUCTION

ALL CABINET STYLES COME STANDARD WITH:

- SOLID HARDWOOD CABINETS
- PLYWOOD BOX
- SOFT CLOSE DOORS AND DRAWERS
- PREMIUM FULL EXTENSION DOVETAIL DRAWER BOX
- NATURAL BIRCH VENEERED INTERIORS
- SOLD AS RTA (READY TO ASSEMBLE)
- ASSEMBLY AND LOCAL DELIVERY ARE AVAILABLE



1. 3/4" thick solid hardwood doors and drawer fronts, with engineered center panel for a quality look and feel.

2. 3/4" solid hardwood frame for strength and rigidity.

3. 1/2" plywood side panels covered in color-matched wood veneer for increased strength and moisture resistance.

4. 5/8" solid hardwood dovetail drawer with 3/8" plywood drawer bottom, can support up to 75lbs.

5. 1/2" & 1/4" reinforcing back panel.

6. Concealed under-drawer glide mechanism is soft-close and gives full extension.

7. Soft-close, 6-way adjustable, concealed hinges open to 105 degrees for easy access.

8. Sturdy 3/4" plywood shelves wrapped in stain and moisture-resistant wood veneer.

9. Adjustable locking shelf clips for internal storage flexibility.

10. Natural birch veneered interior with UV clear coating for stain and scratch resistance.

11. 3/8" plywood base for extra strength.

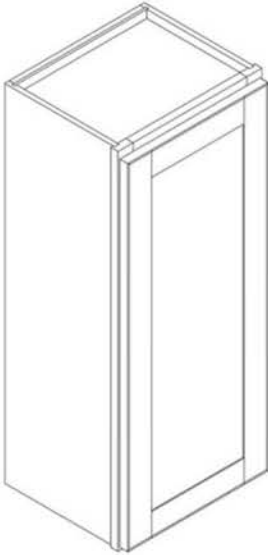
12. Color-matched, veneered plywood toe kick for a neat finish.

13. Corner block stabilizers and I-Beam add strength and rigidity.



WALL CABINETS

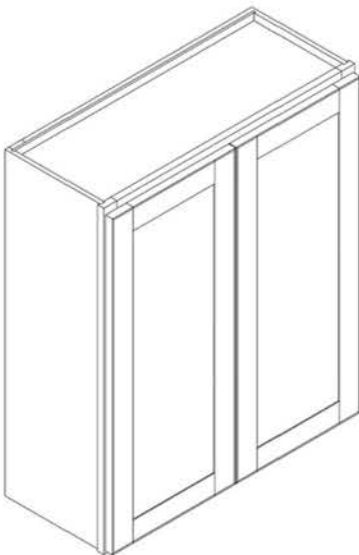
WALL CABINET - 1 DOOR



SKU	W (in)	H (in)	D (in)
WC0930	09	30	12
WC1230	12	30	12
WC1530	15	30	12
WC1830	18	30	12
WC2130	21	30	12
WC0936	09	36	12
WC1236	12	36	12
WC1536	15	36	12
WC1836	18	36	12
WC2136	21	36	12
WC0942	09	42	12
WC1242	12	42	12
WC1542	15	42	12
WC1842	18	42	12
WC2142	21	42	12

- 30" + 36" Height Cabinets come with QTY 2 Adjustable Shelves
- 42" Height Cabinets come with QTY 3 Adjustable Shelves

WALL CABINET - 2 DOOR

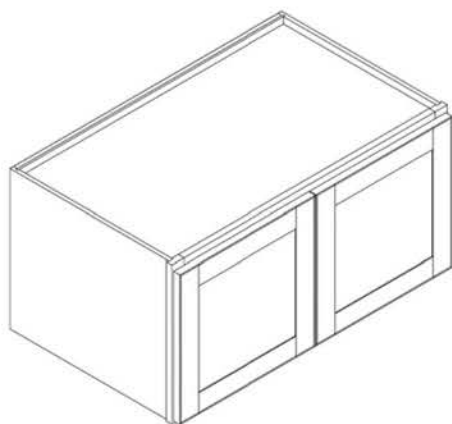
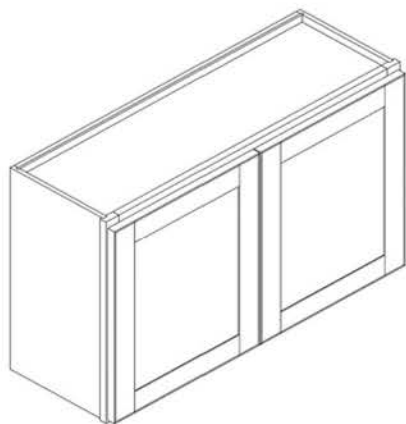


SKU	W (in)	H (in)	D (in)
WC2430	24	30	12
WC2730	27	30	12
WC3030	30	30	12
WC3330	33	30	12
WC3630	36	30	12
WC2436	24	36	12
WC2736	27	36	12
WC3036	30	36	12
WC3336	33	36	12
WC3636	36	36	12
WC2442	24	42	12
WC2742	27	42	12
WC3042	30	42	12
WC3342	33	42	12
WC3642	36	42	12

- 30" + 36" Height Cabinets come with QTY 2 Adjustable Shelves
- 42" Height Cabinets come with QTY 3 Adjustable Shelves

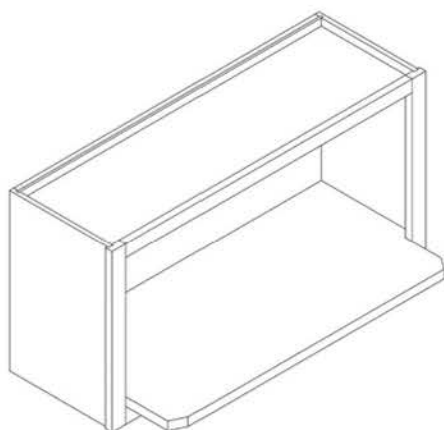
WALL BRIDGE CABINETS

BRIDGE WALL CABINET - 2 DOORS



SKU	W (in)	H (in)	D (in)
WC3012	30	12	12
WC3015	30	15	12
WC3018	30	18	12
WC3021	30	21	12
WC3024	30	24	12
WC3312	33	12	12
WC331224	33	12	24
WC3318	33	18	12
WC331824	33	18	24
WC3324	33	24	12
WC332424	33	24	24
WC3612	36	12	12
WC3615	36	15	12
WC361824	36	18	24
WC3618	36	18	12
WC362424	36	24	24
WC3624	36	24	12

WALL MICROWAVE CABINET SHELF

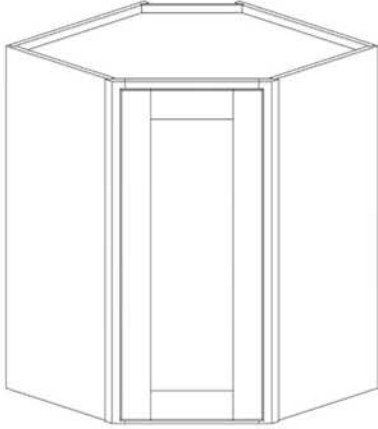


SKU	W (in)	H (in)	D (in)
WM3018	30	18	12

- Microwave Opening = 14 1/3" Height X 26 7/8 Width

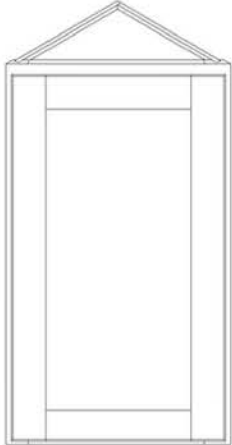
WALL CABINETS

WALL DIAGONAL CORNER CABINET



SKU	W (in)	H (in)	D (in)
WD2430	24	30	12
WD2436	24	36	12
WD2442	24	42	12
WD274215	27	42	15

ANGLE WALL CABINET

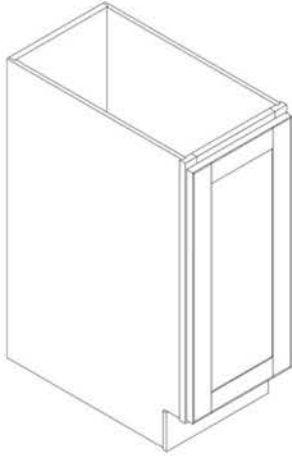


SKU	W (in)	H (in)	D (in)
AW1230	12	30	12
AW1236	12	36	12
AW1242	12	42	12

- Comes pre-assembled

BASE CABINETS

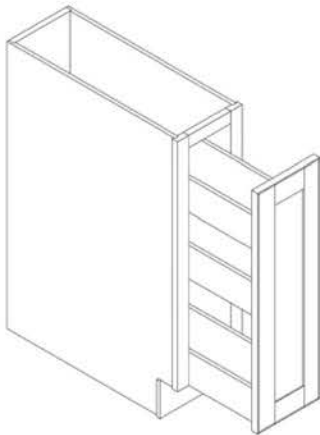
BASE CABINET, 1 FULL HEIGHT DOOR



SKU	W (in)	H (in)	D (in)
BC09FH	9	34 1/2	24
BC12FH	12	34 1/2	24
BC18FH	18	34 1/2	24

- QTY 1 Shelf Included

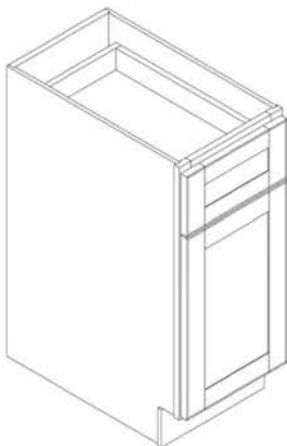
FULL HEIGHT BASE CABINET WITH SPICE RACK



SKU	W (in)	H (in)	D (in)
SR09	9	34 1/2	24
SR12	12	34 1/2	24

- Comes Pre-Assembled

BASE CABINET, 1 DOOR, 1 DRAWER

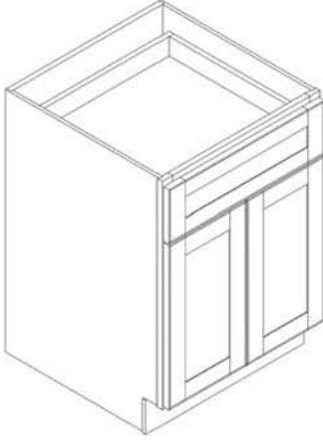


SKU	W (in)	H (in)	D (in)
BC12	12	34 1/2	24
BC15	15	34 1/2	24
BC18	18	34 1/2	24
BC21	21	34 1/2	24

- QTY 1 Shelf Included

BASE CABINETS

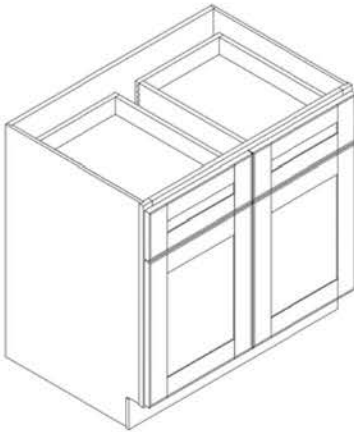
BASE CABINET - 2 DOORS + 1 DRAWER



SKU	W (in)	H (in)	D (in)
BC24	24	34 1/2	24
BC27	27	34 1/2	24
BC30	30	34 1/2	24
BC33	33	34 1/2	24

- QTY 1 Shelf Included
- All two door base cabinets are BUTT cabinets, (no center stile).

BASE CABINET - 2 DOORS + 2 DRAWERS

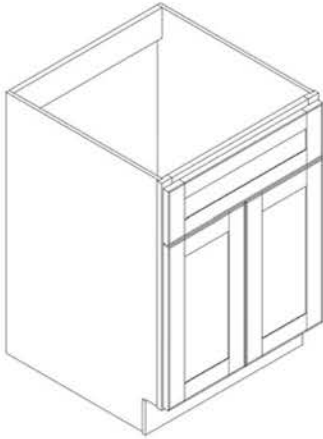


SKU	W (in)	H (in)	D (in)
BC36	36	34 1/2	24

- QTY 1 Shelf Included
- All two door base cabinets are BUTT cabinets, (no center stile).

SINK BASE CABINETS

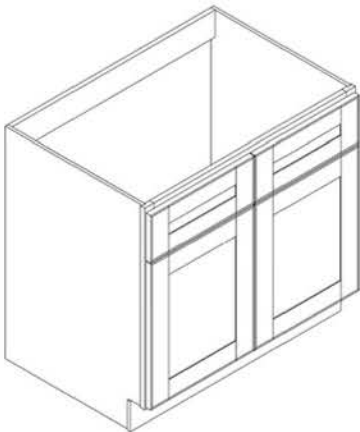
SINK BASE CABINET



SKU	W (in)	H (in)	D (in)
SB30	30	34 1/2	24
SB33	36	34 1/2	24

- All two door base cabinets are BUTT cabinets, (no center stile).

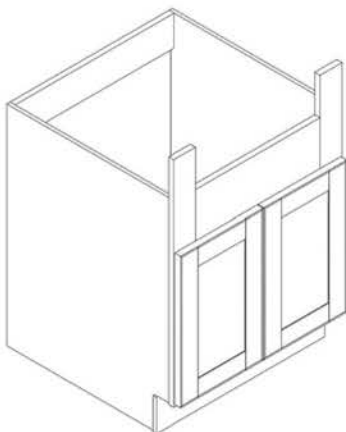
SINK BASE CABINET



SKU	W (in)	H (in)	D (in)
SB36	36	34 1/2	24

- All two door base cabinets are BUTT cabinets, (no center stile).

FARMHOUSE SINK BASE APRON CABINET

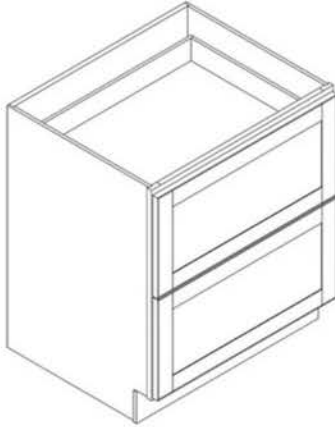


SKU	W (in)	H (in)	D (in)
SBA36	36	34 1/2	24

- Cabinet apron front needs to be cut to fit sink.
- 13 1/4" can be trimmed to 11 1/2".
- Refer to sink manufacturer's recommendations for additional support required for apron and farmhouse front sinks.
- All two door base cabinets are BUTT cabinets, (no center stile).

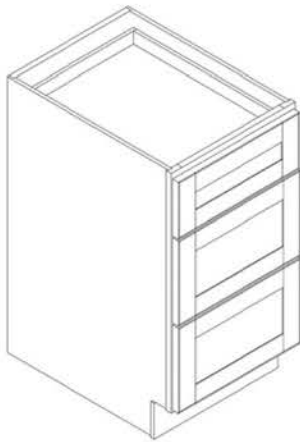
DRAWER BASE CABINETS

DRAWER BASE CABINET - 2 DRAWERS



SKU	W (in)	H (in)	D (in)
DC224	24	34 1/2	24
DC230	30	34 1/2	24
DC236	36	34 1/2	24

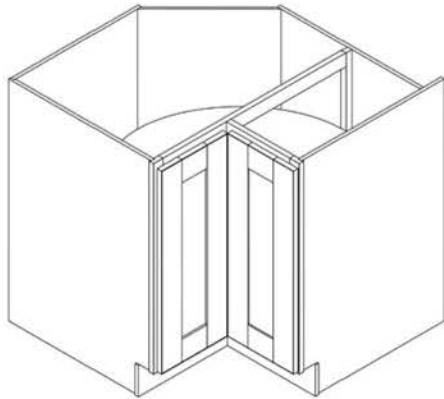
DRAWER BASE CABINET - 3 DRAWERS



SKU	W (in)	H (in)	D (in)
DC312	12	34 1/2	24
DC315	15	34 1/2	24
DC318	18	34 1/2	24
DC321	21	34 1/2	24
DC324	24	34 1/2	24
DC327	27	34 1/2	24
DC330	30	34 1/2	24
DC336	36	34 1/2	24

CORNER BASE CABINETS

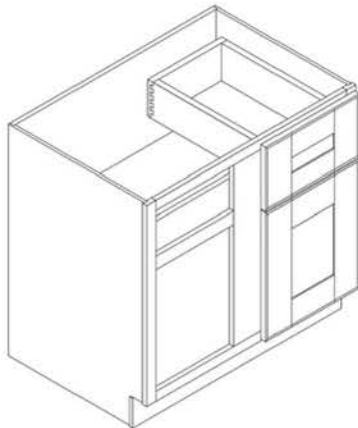
CORNER BASE CABINET WITH LAZY SUSAN



SKU	W (in)	H (in)	D (in)
CB33	33	34 1/2	24
CB36	36	34 1/2	24

- All wood Lazy Susan
- Upper platter is mounted on a half-shelf

BLIND BASE CORNER CABINET

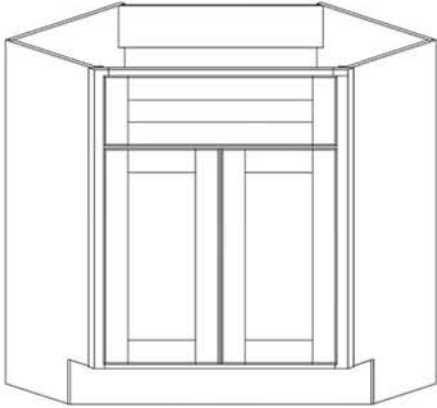


SKU	W (in)	H (in)	D (in)
BBC42	36	34 1/2	24
BBC45	39	34 1/2	24

- BBC42 can be pulled up to 42" minimum or 45" maximum from wall
- BBC42 door is 16 1/8" wide and the door opening is 13 1/2" wide
- BBC45 can be pulled up to 45" minimum or 48" maximum from wall
- BBC45 door is 17 5/8" wide and the door opening is 15" wide
- Universal left and right cabinet
- Perpendicular cabinet requires 3" filler for adequate clearance and is not included - Add WF342

MISC BASE CABINETS

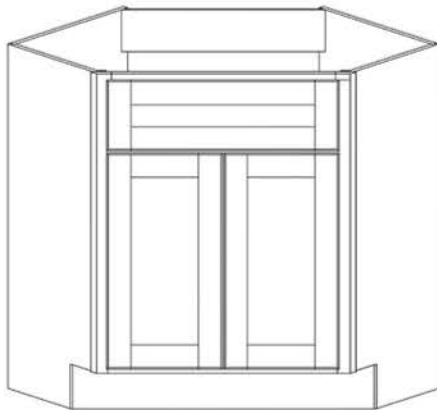
CORNER BASE DIAGONAL CABINET WITH SHELF



SKU	W (in)	H (in)	D (in)
CBD42	42	34 1/2	24

- QTY 1 shelf included

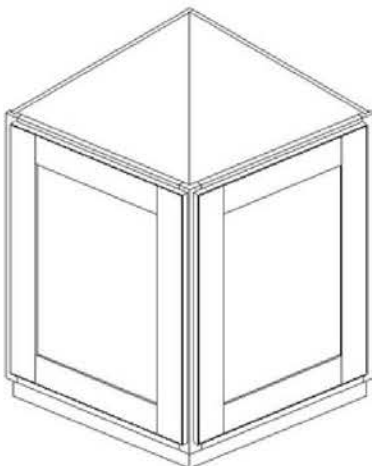
CORNER SINK BASE DIAGONAL CABINET



SKU	W (in)	H (in)	D (in)
SBCD42	42	34 1/2	24

- For adequate dishwasher door clearance and loading/unloading space, a 15" or larger base cabinet is recommended for use between a corner sink base and dishwasher.
- All two door base cabinets are BUTT cabinets, (no center stile).

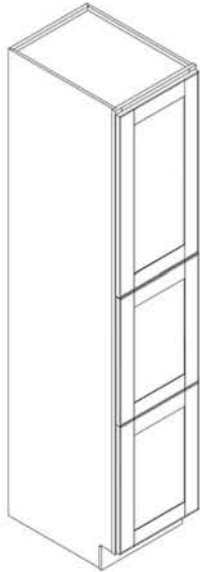
ANGLE BASE CABINET



SKU	W (in)	H (in)	D (in)
AB124	24	34 1/2	24

PANTRY + OVEN CABINETS

PANTRY CABINETS



18"



24" + 30"

SKU	W (in)	H (in)	D (in)
LC1884	18	84	24
LC1890	18	90	24
LC1896	18	96	24
LC2484	24	84	24
LC2490	24	90	24
LC2496	24	96	24
LC3084	30	84	24
LC3090	30	90	24
LC3096	30	96	24

- Lower cabinet opening is 49 1/3"
- Pantry cabinet comes with adjustable shelves on upper and lower portion of cabinets
- 18" Pantry = Single Doors
- 24" + 30" Pantry = Butt Doors
- The bottom two doors can be combined together to open as one single door.

BUILT-IN OVEN - UNIVERSAL SINGLE/DOUBLE

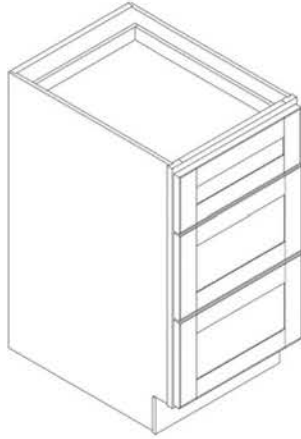


SKU	W (in)	H (in)	D (in)
OC3384SD	33	84	24
OC3390SD	33	90	24
OC3396SD	33	96	24

- Frame opening height: 27"
- Maximum cutout width: 31 1/2"
- Maximum cut-out dimension will allow 1/4" reveal
- Drawer height 7"
- For double oven, remove bottom two drawers and install support.

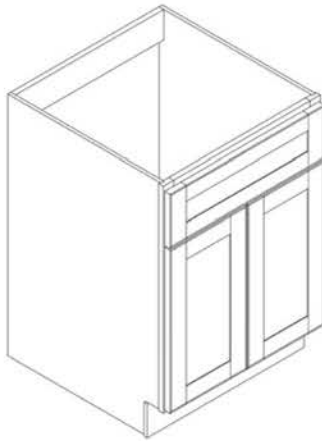
VANITY CABINETS

VANITY DRAWER CABINET



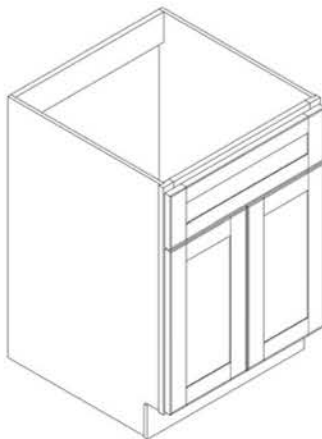
SKU	W (in)	H (in)	D (in)
VDC12	12	34 1/2	21
VDC15	15	34 1/2	21
VDC18	18	34 1/2	21
VDC24	24	34 1/2	21

VANITY SINK BASE CABINET



SKU	W (in)	H (in)	D (in)
VSB24	24	34 1/2	21
VSB30	30	34 1/2	21

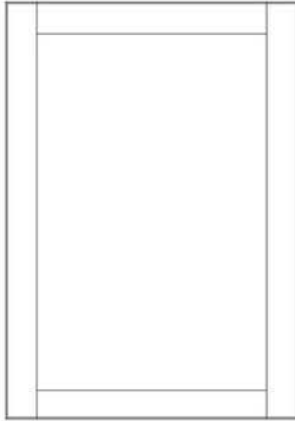
VANITY UNITS



SKU	W (in)	H (in)	D (in)
VDC30	30	34 1/2	21
VDC36	36	34 1/2	21
VDC42	42	34 1/2	21
VDC48	48	34 1/2	21

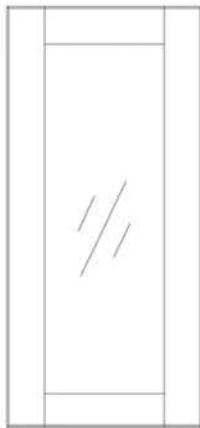
CABINET PANELS

BASE END PANEL - DECORATIVE DOOR



SKU	W (in)	H (in)	D (in)
BEP30	23 3/4	29 1/4	3/4
BEP36	23 3/4	35	3/4

WALL END PANEL - DECORATIVE DOOR



SKU	W (in)	H (in)	D (in)
WEP30	11 3/4	29	3/4
WEP36	11 3/4	35	3/4
WEP42	11 3/4	41	3/4

DISHWASHER PANEL



SKU	W (in)	H (in)	D (in)
DWP1.5	1 1/2	34 1/2	24
DWP3	3	34 1/2	24

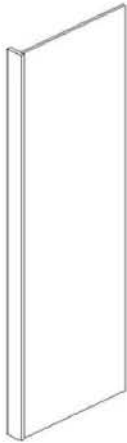
CABINET PANELS

FRIDGE PANEL



SKU	W (in)	H (in)	D (in)
REF9624	3/4	96	24

FRIDGE PANEL WITH RETURN (1 1/2" OR 3" FILLER)



SKU	W (in)	H (in)	D (in)
FP9624-1.5	24	96	1 1/2
FP9624-3	24	96	3
FP9630-1.5	30	96	1 1/2

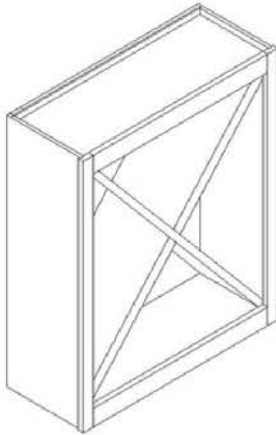
ISLAND PANEL



SKU	W (in)	H (in)	D (in)
IP96	36	96	3/16

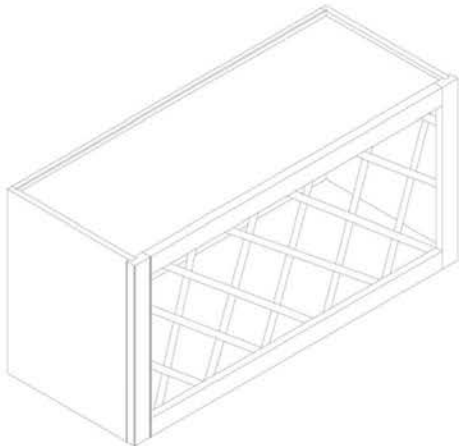
WINE STORAGE

WINE STORAGE CABINET



SKU	W (in)	H (in)	D (in)
WSC1818	18	18	12
WSC2424	24	24	12

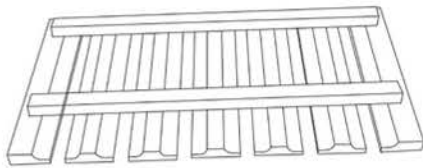
WINE RACK



SKU	W (in)	H (in)	D (in)
WR1530	15	30	12
WR1536	15	36	12
WR1542	15	42	12
WR1830	18	30	12
WR1836	18	36	12
WR3015	30	15	12
WR3018	30	18	12

Birch interior

WINE GLASS RACK



SKU	W (in)	H (in)	D (in)
WR30GH	30	11 1/2	12

- Finished on all sides

CABINET ADD-ONS

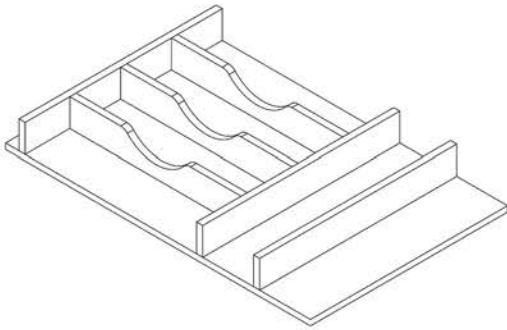
PULLOUT WASTE BIN DOUBLE CAN



SKU	W (in)	H (in)	D (in)
PWB18	14 1/8	11	21

- Natural birch

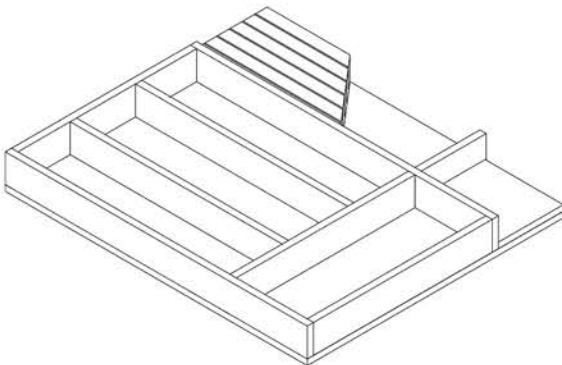
WOOD CUTLERY TRAY



SKU	W (in)	H (in)	D (in)
WCT18	13 1/4	2 3/8	19 3/4
WCT24	19 1/4	2 3/8	19 3/4

- Natural birch
- WCT18 fits in BC18
- WCT24 fits in BC24

WOOD UTENSIL TRAY

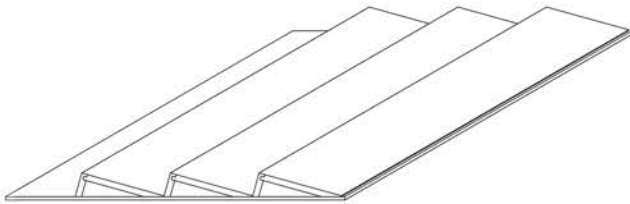


SKU	W (in)	H (in)	D (in)
WUT18	13 1/4	2 3/8	19 3/4
WUT24	19 1/4	2 3/8	19 3/4
WUT30	25 1/4	2 3/8	19 3/4

- Natural birch
- WUT18 fits in BC18
- Knife block not included in WUT18
- WUT24 fits in BC24
- WUT30 fits in BC30

CABINET ADD-ONS

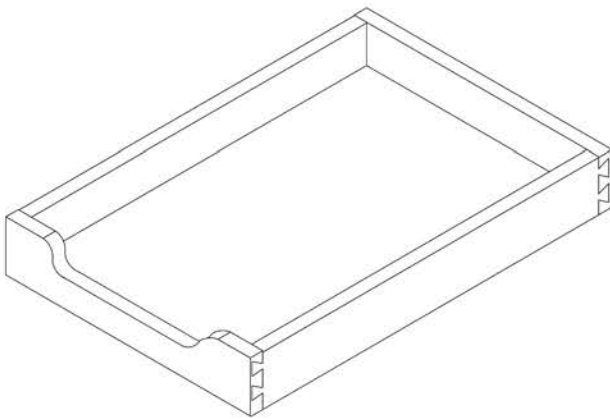
SPICE DRAWER INSERT



SKU	W (in)	H (in)	D (in)
SDI18	13 1/4	1 5/8	19 3/4

- Natural birch

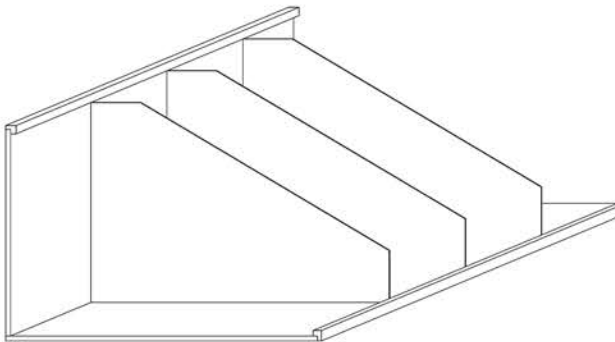
ROLLOUT TRAY



SKU	W (in)	H (in)	D (in)
RT15	11 1/8	3	21
RT18	14 1/8	3	21
RT21	17 1/8	3	21
RT24	20 1/8	3	21
RT27	23 1/8	3	21
RT30	26 1/8	3	21
RT36	32 1/8	3	21

- Natural birch

TRAY DIVIDER

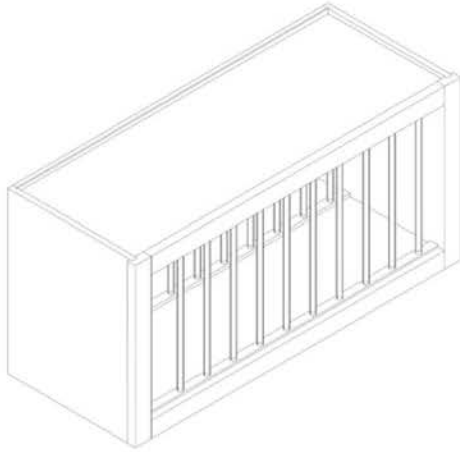


SKU	W (in)	H (in)	D (in)
TD3	10 3/8	15 3/8	22 1/2

- Natural birch
- TD3 fits in a BC12

CABINET ADD-ONS

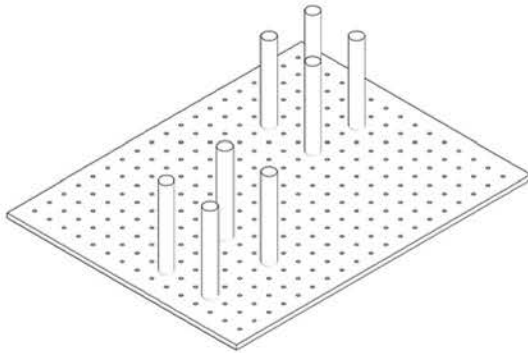
PLATE RACK



SKU	W (in)	H (in)	D (in)
PL3015	30	15	12

- Birch interior

PEGBOARD



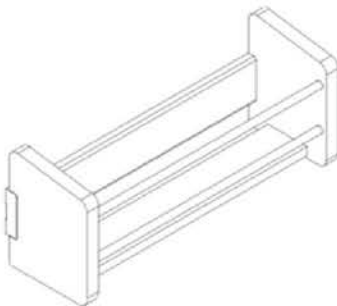
SKU	W (in)	H (in)	D (in)
PEGB30	25 3/8	3/8	19 3/4
PEG36	31 3/8	3/8	19 3/4

- Natural birch pegs with MDF base

Replacement Pegs

PEG9	1	6	1
------	---	---	---

DOOR MOUNT STORAGE

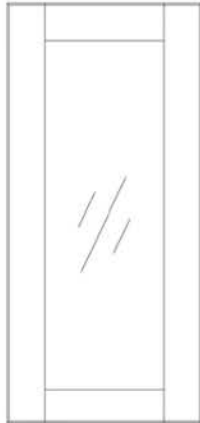


SKU	W (in)	H (in)	D (in)
DM15	7 1/2	5	4 1/8
DM15	10 1/2	5	4 1/8

- Natural birch

GLASS DOORS

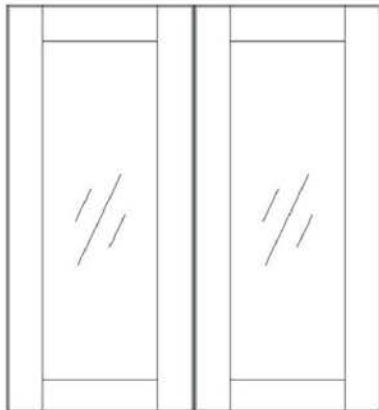
SINGLE GLASS DOOR



SKU	W (in)	H (in)	D (in)
WC1230G	12	30	3/4
WC1236GD	12	36	3/4
WC1242GD	12	42	3/4
WC1530GD	15	30	3/4
WC1536GD	15	36	3/4
WC1542GD	15	42	3/4
WC1830GD	18	30	3/4
WC1836GD	18	36	3/4
WC1842GD	18	42	3/4
WC2130GD	21	30	3/4
WC2136GD	21	36	3/4
WC2142GD	21	42	3/4

- Frosted tempered glass installed
- Full cabinets must be bought separately, this sku is only 1 door

DOUBLE GLASS DOOR



SKU	W (in)	H (in)	D (in)
WC2430GD	24	11 3/4	3/4
WC2436GD	24	11 3/4	3/4
WC2442GD	24	11 3/4	3/4
WC3030GD	30	14 3/4	3/4
WC3036GD	30	14 3/4	3/4
WC3042GD	30	14 3/4	3/4
WC3630GD	36	17 3/4	3/4
WC3636GD	36	17 3/4	3/4
WC3642GD	36	17 3/4	3/4

- Frosted tempered glass installed
- Each SKU contains two doors, full cabinets must be bought separately

GLASS SHELF



SKU	W (in)	H (in)	D (in)
GS0	7 1/2	5/16	10 1/2
GS12	10 1/2	5/16	10 1/2
GS15	13 1/2	5/16	10 1/2
GS18	16 1/2	5/16	10 1/2
GS21	19 1/2	5/16	10 1/2
GS24	22 1/2	5/16	10 1/2
GS30	28 1/2	5/16	10 1/2
GS36	34 1/2	5/16	10 1/2

- Frosted tempered glass
- Each SKU contains 1 shelf

MOLDINGS

UNIVERSAL FILLERS WALL/BASE



SKU	W (in)	H (in)	D (in)
WF342	3	42	3/4
WF396	3	96	3/4
WF642	6	42	3/4
WF696	6	96	3/4

- Finished on 3 sides, back natural

TOE KICK



SKU	W (in)	H (in)	D (in)
TK8	4 1/2	96	3/16

- Painted finishes will not show grain

BASE MOLDING



SKU	W (in)	H (in)	D (in)
BM8	96	4 1/2	3/8

- All sides finished

TOUCH UP KIT



SKU
TUK

MOLDINGS

SCRIBE MOLDING



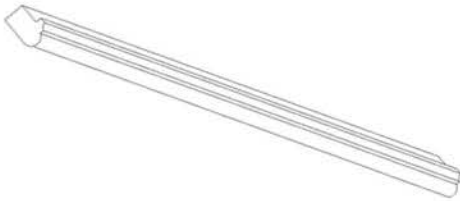
SKU	W (in)	H (in)	D (in)
SM8	96	3/4	3/4

QUARTER ROUND



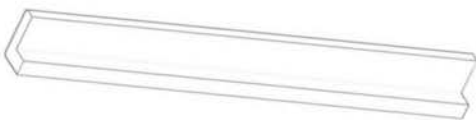
SKU	W (in)	H (in)	D (in)
QR8	96	3/4	3/4

CLASSIC LIGHT RAIL



SKU	W (in)	H (in)	D (in)
LRC8	96	1 1/2	1 3/4

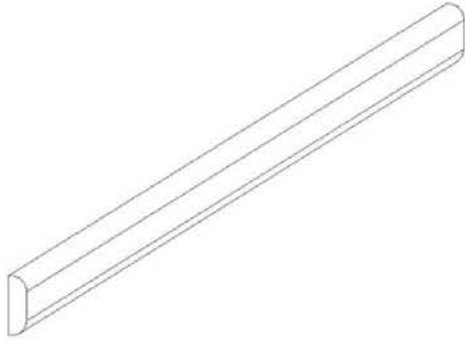
FLAT LIGHT RAIL



SKU	W (in)	H (in)	D (in)
LRF8	96	2	1 3/4

MOLDINGS

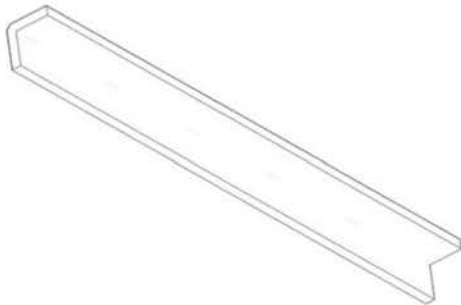
BATTEN MOLDING



SKU	W (in)	H (in)	D (in)
BTM8	96	3/4	1/4

- All sides finished

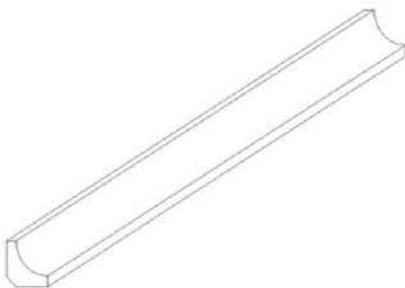
CORNER MOLDING



SKU	W (in)	H (in)	D (in)
OM8	96	3/4	3/4

- Painted exterior. Interior natural

CORNER COVE MOLDING



SKU	W (in)	H (in)	D (in)
BM8	96	4 1/2	3/8

- Painted exterior. Interior natural

CROWN MOLDINGS

CLASSIC CROWN MOLDING



SKU	W (in)	H (in)	D (in)
CMC8	96	2 3/4	1 1/4

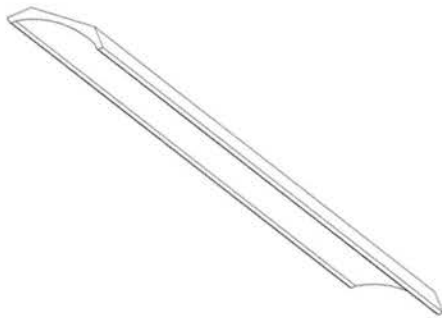
FLAT CROWN MOLDING



SKU	W (in)	H (in)	D (in)
CMF8	96	3	3/4
CMF8-6	96	6	3/4

- All sides finished

LARGE COVE MOLDING



SKU	W (in)	H (in)	D (in)
LMC8	96	3 7/8	2 3/4

- All sides finished

VALANCES

STRAIGHT VALANCE



SKU	W (in)	H (in)	D (in)
STV36	35	4	3/4
STV48	48	4	3/4

- Painted finishes: all sides finished

TRADITIONAL ARCH VALANCE

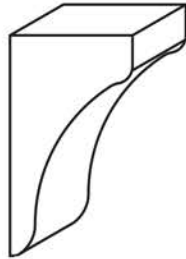


SKU	W (in)	H (in)	D (in)
TAV36	36	4	3/4
TAV48	48	4	3/4

- Painted finishes: all sides finished
- Trimmable up to 4" each side

CORBELS + LEGS

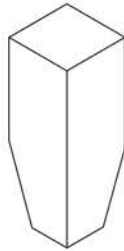
SMALL BAR BRACKET CORBEL



SKU	W (in)	H (in)	D (in)
SBC9	4	9	2 1/2

- Painted finishes: all sides finished

CABINET FEET



SKU	W (in)	H (in)	D (in)
CF5	2 1/4	5	2 1/4

- Painted finishes: all sides finished

SHAKER-TAPERED WOOD LEG POST



SKU	W (in)	H (in)	D (in)
STL36	3 1/2	36	3 1/2

- Natural birch